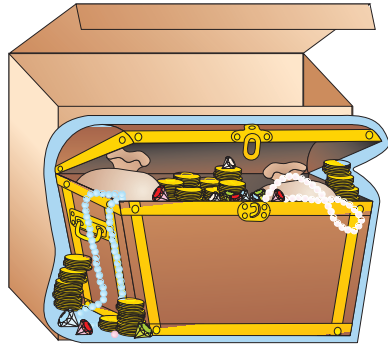
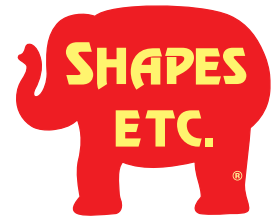


Treasure Chest/Story Box



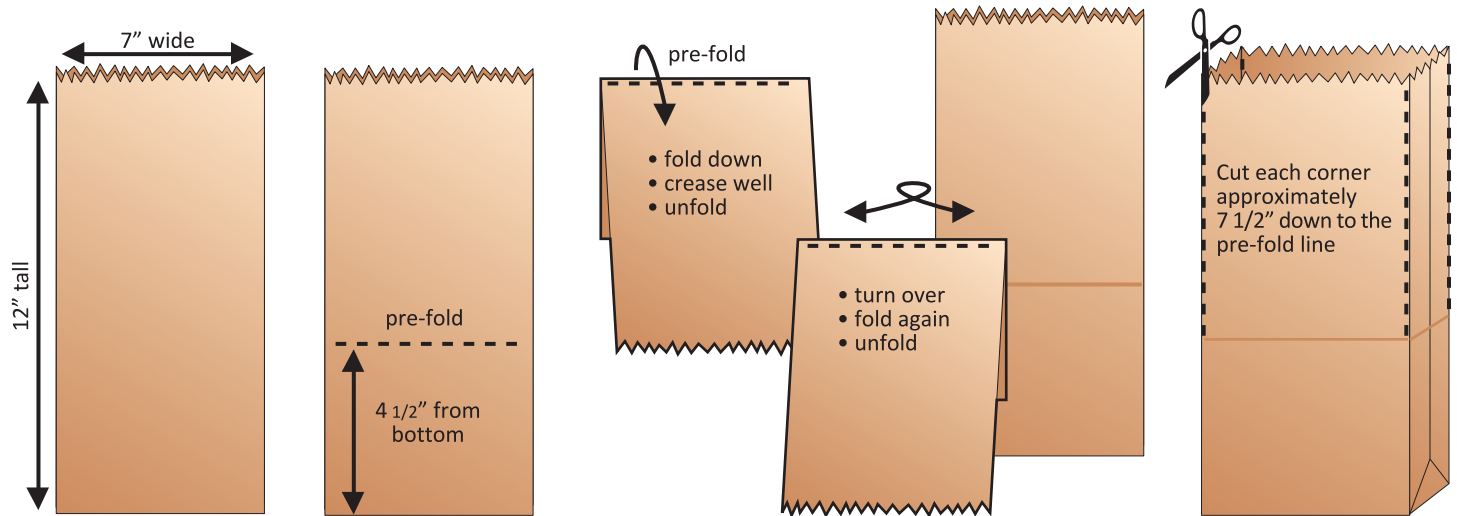
Great for:

- Word Cards
- Learning Games
- Story Starter Cards
- Accordion Books
- Stories on a Scroll
- Treasure Maps
- Goodie Boxes
- And More!



Idea from Carol Hartery
www.carolhartery.blogspot.com

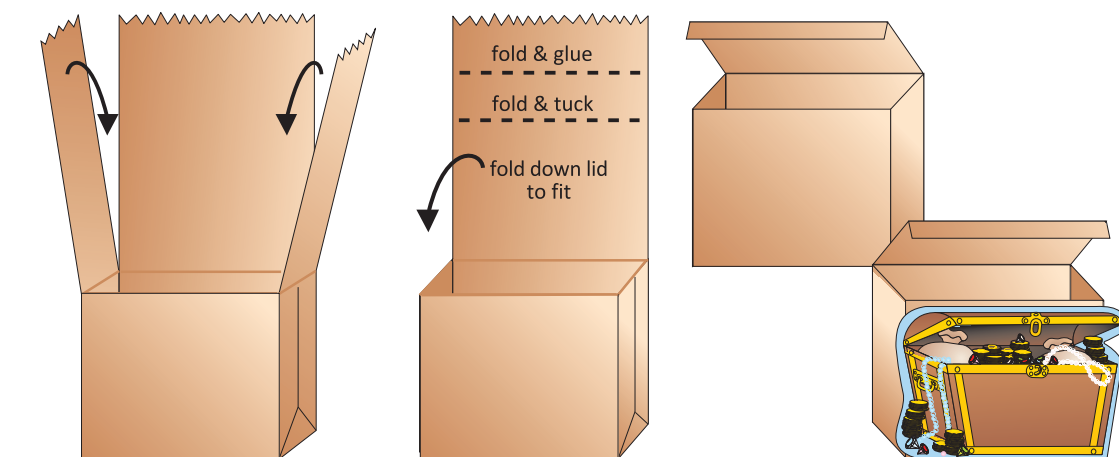
In collaboration with Susan DeMuth
 Shapes Etc. www.shapesetc.com



1. Start with a brown paper lunch bag approximately 7" wide. If the bag is less than 7" that's okay; the Treasure Chest will just overhang the side edges a bit more.

2. Measure 4 1/2" from the bottom and pre-fold, then flip over and pre-fold on the back. The crease will give the paper a "memory" of where to fold down the flaps later.

3. Cut down all four sides stopping at the pre-fold line (approx. 7 1/2").



4. Both side flaps and front flap will fold down and tuck in. Extra paper can fold across the bottom. Use a glue stick to secure in place.

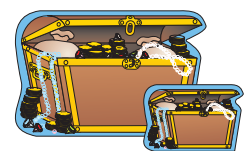
5. Pre-fold back flap to form the lid. Lunch bags seem to vary in size. The extra paper on the edge can be folded down approximately 1 1/2" from the top edge, folded over again and glued in place. This makes the "tuck in" flap of the lid heavier. Glue on the Treasure Chest Notepad. Add jewels and glitter glue for fun!

Materials

- Lunch Bags
Approx. 7" wide
- Treasure Chest Notepad SE-07
- Scissors
- Ruler
- Glue Stick

Optional

- Glitter Glue
- Sequins
- Plastic Jewels



Treasure Chest
 Mini SE-643
 Large SE-07